

RKA 300 - 1 POLE



087910-0-3

TERMINAL CROSS SECTION

2 x 300 mm² - 150 mm² (600 - 300 kcmil)
240 mm² - 120 mm²



MEASUREMENT CONNECTION

1 x 10 mm² - 1,5 mm² (8 - 16 AWG)
6 mm² - 1,5 mm² (10 - 16 AWG)



- > modular system
- > user-defined stackable
- > to fit on DIN rail TS 35 or installation plate



AL / CU



087910-1-3



087910-2-3



087910-3-3



087910-4-3

For aluminium and copper conductors (Al/Cu)



NOMINAL VOLTAGE

1000 V AC/DC
600 V

NOMINAL CURRENT

520 A Cu
420 A Cu / 340 A Al

STANDARDS

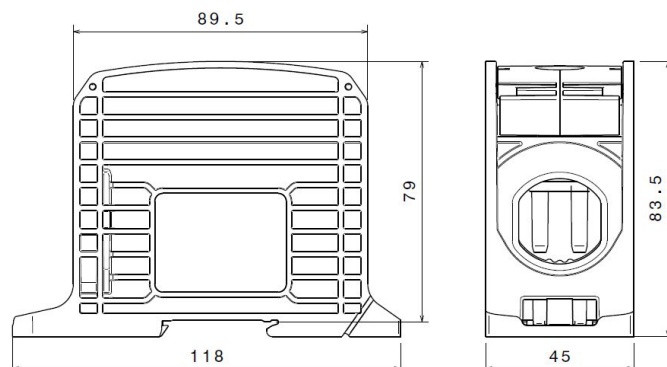
IEC 60947-7-1
UL-1059 / CSA C22.2 No.158-10

Model	Part No.	Type	PU	GTIN / EAN
RKA 300 for aluminium/ copper conductors	087910-0-3	RKA 300 L G	1/12	4051589879101
	087910-1-3	RKA 300 N	1/12	4051589879118
	087910-2-3	RKA 300 PE	1/12	4051589879125
	087910-3-3	RKA 300 L B	1/12	4051589879132
	087910-4-3	RKA 300 L S	1/12	4051589879149
Accessories				
	087900-0-0	dust cover for RKA 300 series	8/144	4051589879002



087900-0-0

Dimensions:



RKA 300 1/4 - 1 POLE



087920-0-3

TERMINAL CROSS SECTION

4 x 300 mm² - 150 mm² (600 - 300 kcmil)
240 mm² - 120 mm²



- > modular system
- > user-defined stackable
- > to fit on DIN rail TS 35 or installation plate

MEASUREMENT CONNECTION

2 x 10 mm² - 1,5 mm² (8 - 16 AWG)
6 mm² - 1,5 mm² (10 - 16 AWG)



AL / CU



087920-1-3



087920-2-3



087920-3-3



087920-4-3

For aluminium and copper conductors (Al/Cu)



NOMINAL VOLTAGE

1000 V AC/DC
600 V

NOMINAL CURRENT

520 A Cu
420 A Cu / 340 A Al

STANDARDS

IEC 60947-7-1
UL-1059 / CSA C22.2 No.158-10



Model	Part No.	Type	PU	GTIN / EAN
RKA 300 1/4 für Aluminium/ Kupferleiter	087920-0-3	RKA 300 1/4 L G	1/6	4051589879200
	087920-1-3	RKA 300 1/4 N	1/6	4051589879217
	087920-2-3	RKA 300 1/4 PE	1/6	4051589879224
	087920-3-3	RKA 300 1/4 L B	1/6	4051589879231
	087920-4-3	RKA 300 1/4 L S	1/6	4051589879248
Accessories				
	087900-0-0	dust cover for RKA 300 series	8/144	4051589879002



087900-0-0

Dimensions:

